

Intellian® FB500

Ultimate Marine FleetBroadband Antenna System

Intellian® FB500 is set to revolutionize ship operation and communication with the fastest yet cost-effective FleetBroadband service. It is designed specifically for intensive use on board merchant and offshore vessels whilst being ideally suited to large fishing and workboat applications at the same time.

- Inmarsat's global broadband I4 satellite coverage
- Simultaneous voice and data service
- Compact and reliable hardware
- IP connection for e-mail, Internet, fax and SMS
- Built-in Wi-Fi
- Data rates up to 432 kbps (up to 256 kbps for Streaming IP)
- Matching dome solutions with the Intellian product line (Marine Satellite TV Antenna System)



Ultimate Global Maritime Terminal

Weighing 34.1 lbs and 28.3 inch high, the Intellian FB500 is an ultimate FleetBroadband maritime terminal.

Simultaneous Voice and Data Access

With 432kbps data rates, FB500 provides simultaneous access to data services, voice and text messaging.

Reliable Hardware

Operating on the Inmarsat FleetBroadband Satellite System and reliable mechanical construction, approved to Intellian standards, you can be confident of both the quality of the equipment and the global support behind it.

Built-in W-i-Fi

With the standard built-in Wi-Fi feature, the web-based user interface can be accessed via any web browser including Wi-Fi-enabled smartphones via the FB500's secure Wi-Fi (WLAN). The Wi-Fi connection also offers wireless Push-to-Talk (PTT) service to smartphone users using free PTT apps downloadable from smartphone (e.g. Zello) without having to add any additional hardware to the terminal.

IP Handset

The rugged new plug-and-play IP Handset provides an intuitive user interface on a 2" TFT color screen and mobile phone type keys for making phone calls, texting SMS messages just like on shore.

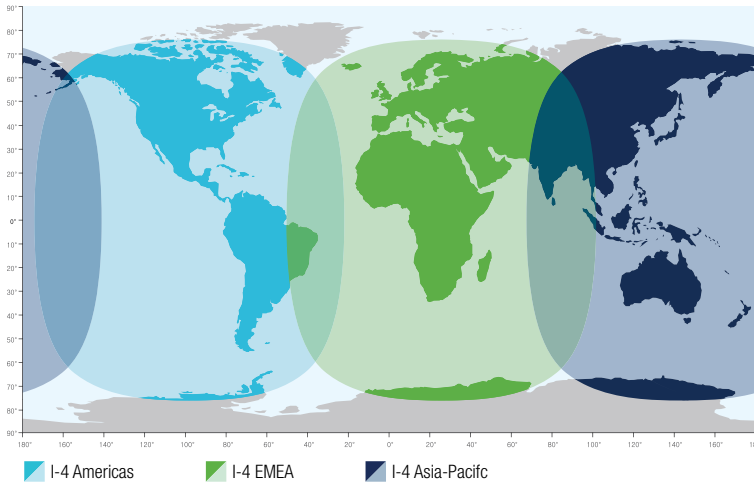
Matching Dome Solutions

Various matching size domes are available for Intellian FB500 together with Intellian i9, t80W, t110W and t130W satellite TV antenna systems. Now you can select a perfectly matched dome for the best appearance on your vessel.

Intellian® FB500

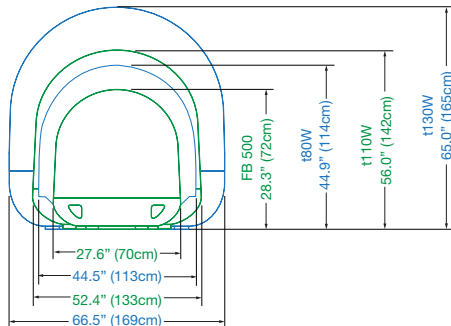
Ultimate Marine FleetBroadband Antenna System

Inmarsat FleetBroadband Global Coverage

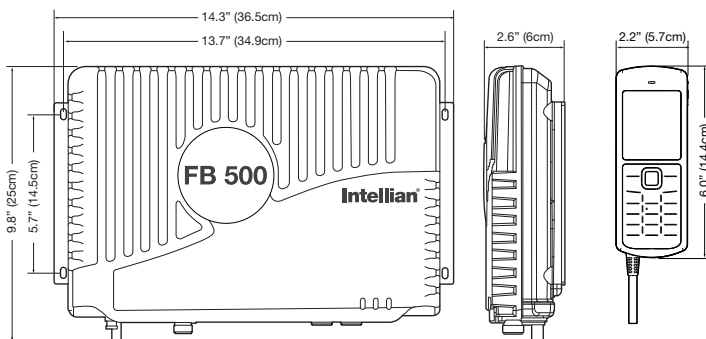


This map depicts Inmarsat's expectations of coverage, but does not represent a guarantee of service. The availability of service at the edge of coverage areas fluctuates depending on various conditions.

System Dimension



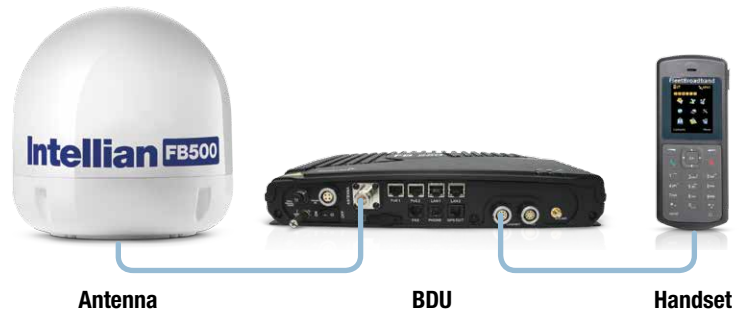
**ADU (Above Deck Unit)
Matching Dome Options**



Technical Specifications

Part	Specifications
Intellian FB500	Inmarsat FleetBroadband 500 Marine Satellite Communication Antenna System
Dimension and Weight	
ADU	28.3 x 27.6 in (72cm x 70cm) / 34.1 lbs (15.5kg)
BDU	14.1 x 9.8 x 2.6 in (36 x 25 x 6.7 cm) / 8.5 lbs (3.9 kg)
Environmental Conditions	
Operating Temperature	-13°F to +131°F (-25°C to +55°C)
Operating Humidity	[ADU] EN60945, [BDU] 95% non-condensing at +40°C
Water Ingress	[ADU] IP56, [BDU] IP31
Approvals	Inmarsat FleetBroadband/ RTTE/ CE/ FCC
Warranty	3 Years Parts and 1 Year Labor
Global Services	
Voice	Digital 4 kbps Voice, 3.1kHz Audio
Standard IP	Up to 432 kbps
Streaming IP	8, 16, 32, 64, 128, 176, 256 kbps
SMS	Up to 160 characters (3G standard)
Fax	Group 3 (via 3.1 kHz Audio)
Airtime Service	Inmarsat airtime
Frequency Band	
Rx	1518.0 MHz – 1559.0 MHz
Tx	1626.5 MHz – 1675.0 MHz
Ch. Width	[Rx] 10.5 - 189 kHz, [Tx] 21 - 189 kHz
Power Supply and Consumption	
DC Input Range	10 - 32V DC (isolated)
Power (max)	150W @ 10 - 32V (including antenna)

System Diagram



ISO9001 / ISO14001 Certified
www.intelliantech.com

HQ/Innovation Center/Factory
Intellian Technologies, Inc.
 348-5 Chungho-Ri, Jimwi-HMyeon
 Pyeongtaek-Si, Gyeonggi-Do 451-862 Korea

T +82 31 379 1000
 F +82 31 377 6185

Seoul Office APAC
Intellian Technologies, Inc.
 2F Dongik Building, 98 Nonhyun-Dong
 Gangnam-Gu, Seoul 135-010 Korea

T +82 2 511 2244
 F +82 2 511 2235

Irvine Office Americas
Intellian Technologies USA, Inc.
 9004 Research Drive
 Irvine, CA 92618 USA

T +1 949 727 4498
 Toll Free +1 888-201-9223
 F +1 949 271 4183

Rotterdam Office EMEA
Intellian B.V.
 Bristolstraat 1, 3047AB
 Rotterdam, The Netherlands

T +31 1 0820 8655
 F +31 1 0820 8656

Southampton Office
Intellian Ltd.
 Epsilon House, Enterprise Road,
 Southampton Science Park,
 Southampton, Hampshire SO16 7NS, UK

T +44 2380 019 021
 F +44 2380 767 092

Intellian has more worldwide offices. Addresses, phone numbers, and fax numbers are listed on the Intellian Website at www.intelliantech.com